

20000lbs Mobile Column Lift

ISO 

167219B



Optional high-rise jack stands allow vehicles to be raised and columns removed possible for repairing many vehicles simultaneously.

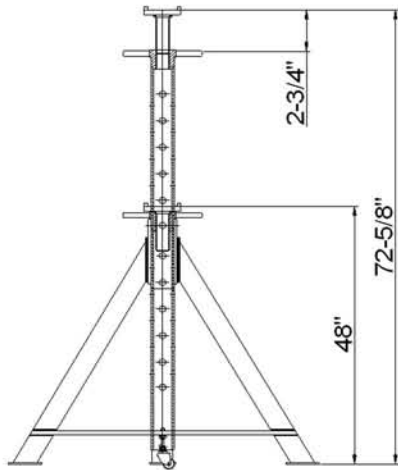


Features

- User-friendly operation through selector buttons on master controller for individual, paired & synchronized operation.
- SIEMENS® PLC computer and rotating encoder provide continuous synchronization of all columns.
- Adjustable lifting forks accommodate the widest range of wheels without wheel reducer sleeves.
- Front wheel on the pallet jack for easy movement of the columns.
- Heavy duty hydraulic system and bearings on carriages provide efficient, fast & easy lifting.
- Communication & electrical cables with double ends in horseshoe wiring make vehicle driven in or out easily without disconnecting cables.
- LCD screen with keyboard provides multiple settings and vision of lifting height.
- Independent mechanical locking system & emergency switch on every column provide highest safety insurance.

Specification

- Operation voltage: 24V-
- Clearance from fork to column: 11-13/16"
- Lifting/lowering time: 120 / 68sec
- Noise level: Max 73db(A)
- Electrical supply cable length: 65.7'
- Column interconnection cable length: 39. 4' x 2pcs
22.9' x 1pcs
- Max. distance between lifting columns: 29.5'
- Max. floor surface pressure(per front wheel) : 7000lbs
- Height overall: 88-1/2"
- Width overall: 44-1/8"
- Lifting height: 1/4"~66-7/8"
- Lifting capacity: 20000lbs
- Net weight: 1500 lbs
- Quantity in 20" Container: 8 units
- Quantity in 40" Container: 16 units
- Packing Size: 55-3/8" x 44-1/8" x 88-5/8"



- 1 set of 4 columns
- Packing Size: 78-3/4" x 41-3/8" x 39-3/8"
- Gross weight: 617lbs

Adjustment range:(13-3/4",17-3/4",22")

